



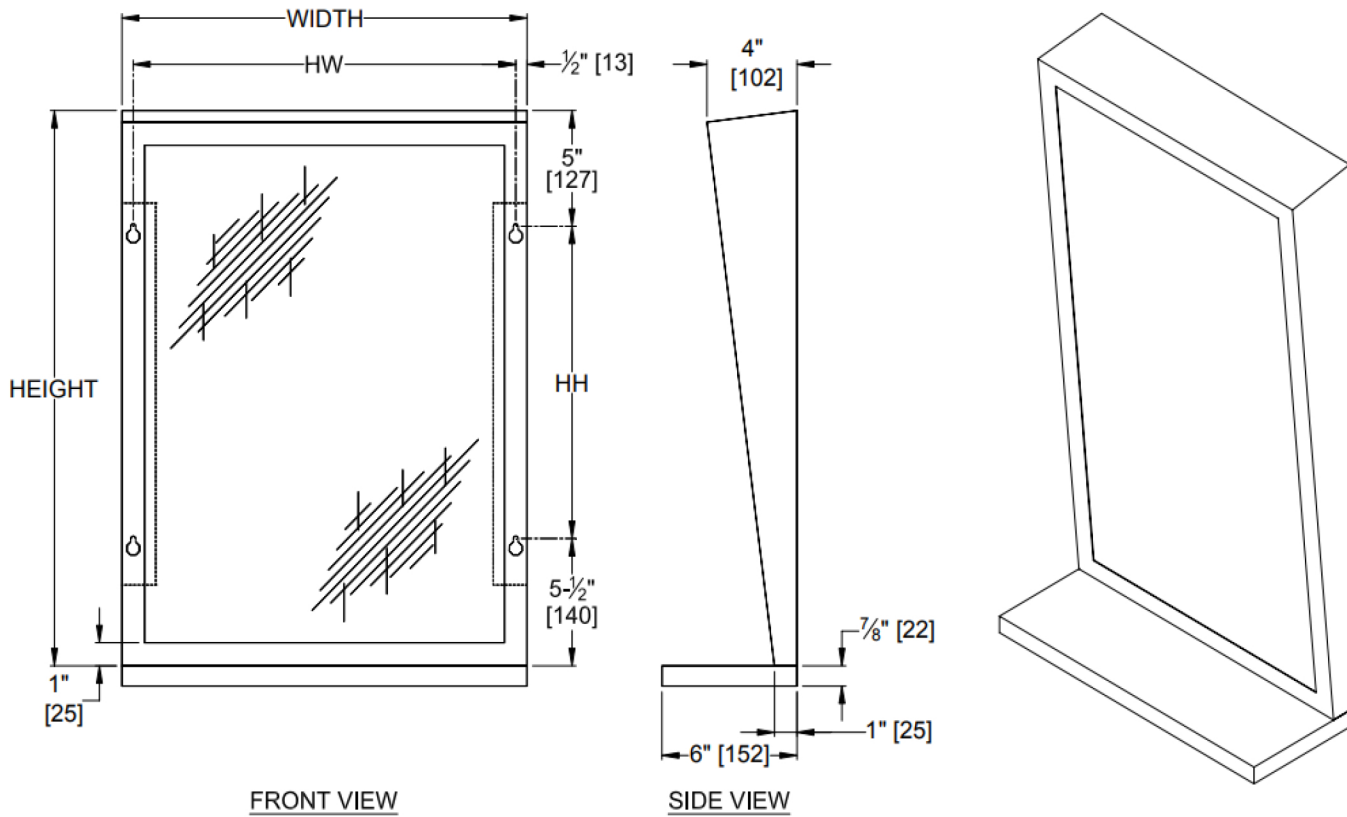
AMERICAN SPECIALTIES, INC.  
 441 Saw Mill River Road, NY 10701  
 (914) 476.9000 • (914) 476.0688  
 www.americanspecialties.com

MODEL №: 0537

ISSUED: 01/87

REVISED: 19 FEB 2018

**FIXED ANGLE TILTED MIRROR WITH SHELF**



**SPECIFICATION**

Fixed Angle Tilted Mirror with Shelf shall be fabricated of 20 gauge, type 304, stainless steel alloy 18-8. Face shall be one piece construction free of miters or spot welded seams. All exposed surfaces shall have satin finish and be protected during shipment by PVC film easily removable after installation. Concealed tamper resistant locking devices shall be provided. Mirror shall be \_\_\_\_\_ (INSERT GLAZING OPTION) and shall be warranted for 15 years against silver spoilage per standard warranty. Mirrors shall be supplied as standard with glazing option "A". For a complete description and other choices of glazing options, see Mirror Glazing Options Chart.

Fixed Angle Tilted Mirror with Shelf shall be Model № 0537-\_\_\_\_\_ (insert size code) - \_\_\_\_\_ (insert glazing option) manufactured by American Specialties, Inc., 441 Saw Mill River Road, Yonkers, New York 10701-4913

**INSTALLATION**

Surface mount unit on wall or partition using four (4) № 10 self tapping pan head or round head screws (by others). Mounting holes through back are keyhole slots for hanging unit on pre-installed screws. Unit requires 5/8" [16] clearance at top to engage screws in keyhole slots. For compliance with 2010 ADA Accessibility Guidelines, bottom of reflecting surface should be located 40" [1016] maximum above finished floor.

MODEL №	QTY	DIMENSIONS			
		W	H	HW	HH
0537-1630-_____		16" [406]	30" [762]	15" [381]	19-1/2" [495]
0537-1830-_____		18" [457]	30" [762]	17" [432]	19-1/2" [495]
0537-1836-_____		18" [457]	36" [914]	17" [432]	25-1/2" [648]